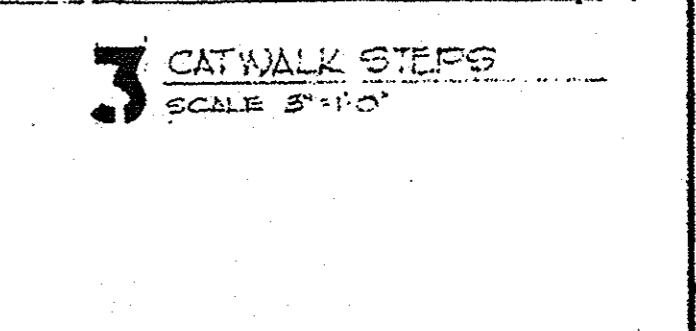
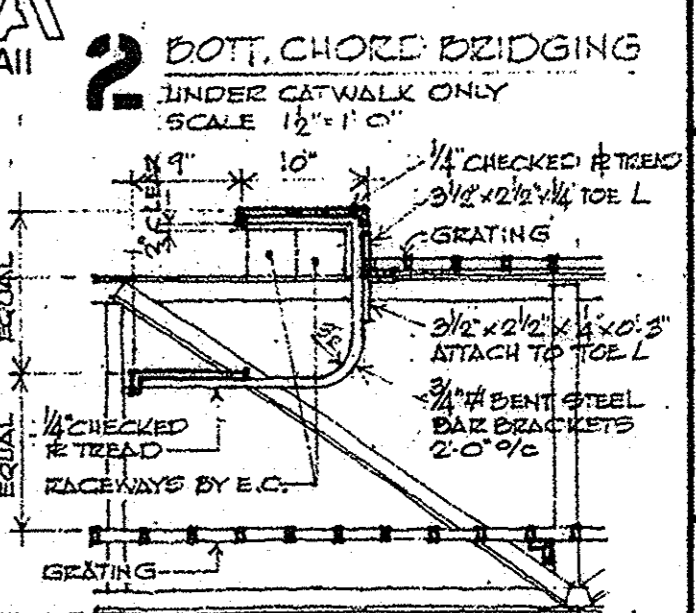
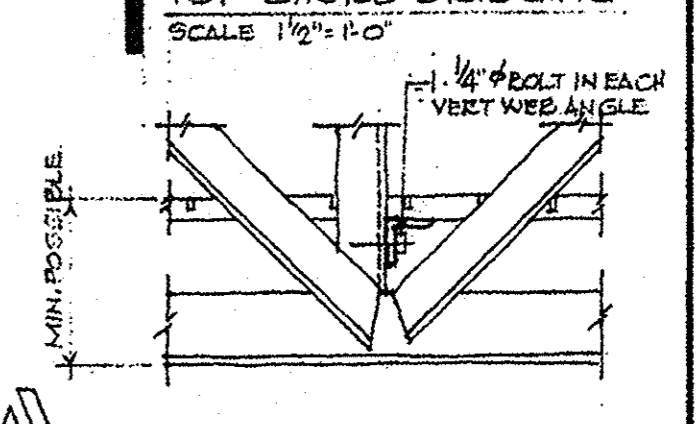


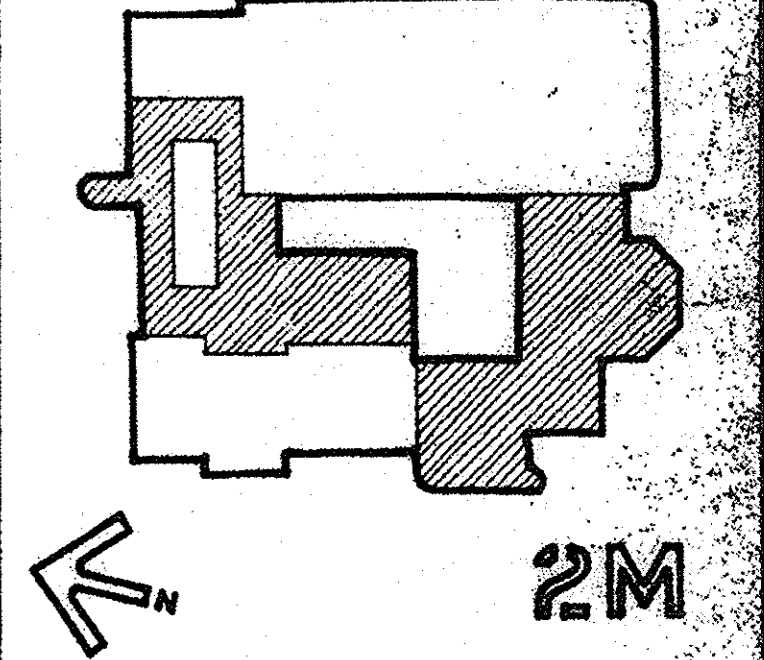
- GENERAL NOTES:**
1. FOR DOOR SYMBOL INTERPRETATION SEE DWG. A-25
 2. FOR DOORS & FRAMES SEE DWG. A-25
 3. FOR ROOM FINISH SCHEDULE SEE DWG. A-26
 4. FOR CASE DETAILS SEE DWG. A-15
 5. FOR LINTEL SCHEDULE SEE DWG. A-25
 6. SEE SPECIFICATIONS FOR LIST OF ABBREVIATIONS
 7. FOR MATERIAL & SYMBOL INDICATIONS SEE DWG. A-1



Professional Engineer
JAMES A. YOUNG, III
No. 1701-1

REGISTERED ARCHITECT
DAMIANOS AND PEDONE
No. 1701-1

REGISTERED ARCHITECT
DAMIANOS AND PEDONE
No. 1701-1



Date	Approved
3/17/72	Harold Hest
3/17/72	Bruce A. Madala
3/17/72	Anthony A. Madala
3/17/72	Ronald A. Madala
3/17/72	Thomas J. Madala
3/17/72	William J. Madala

Renovation of Carnegie Library of Pittsburgh Allegheny Regional Branch

Damianos and Pedone
Architecture
Interior Architecture
416 Hastings Street
Pittsburgh, Pennsylvania 15206
(412) 362-8422

LEVEL 2M

Revised Date 3-17-72

2M LEVEL 2M
SCALE 1/8" = 1'-0"